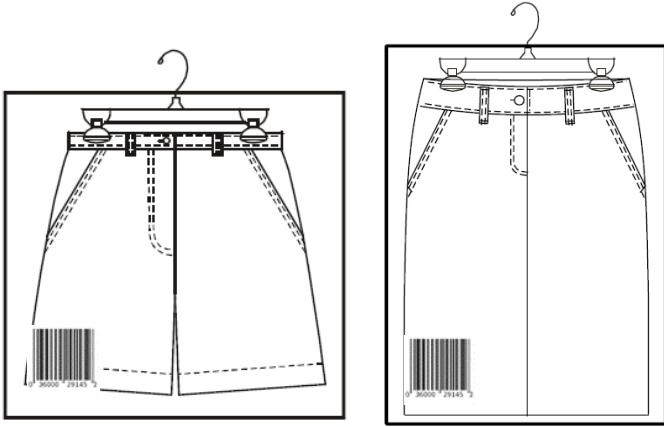


- Carton size must be chosen to appropriately fit the dimensions and volume of the garments
- Creased goods arriving at Cargo Services or Australia may result in rejection of stock or penalties

**SHORTS & SHORT SKIRTS – FRONT HUNG – DO NOT FOLD**

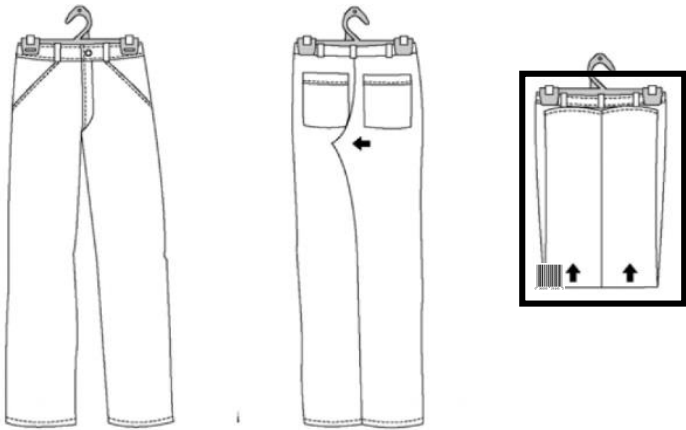
**\*LARGER SIZES – FOLD SIDE WAIST BACK AS SHOWN IN PANTS DIAGRAM**



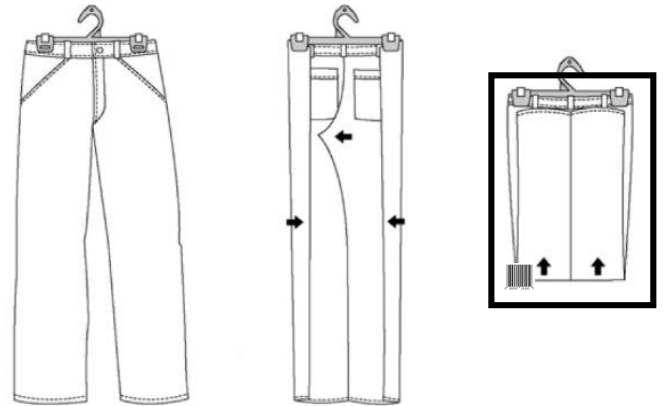
**SHORTS – GOOD EXAMPLE**



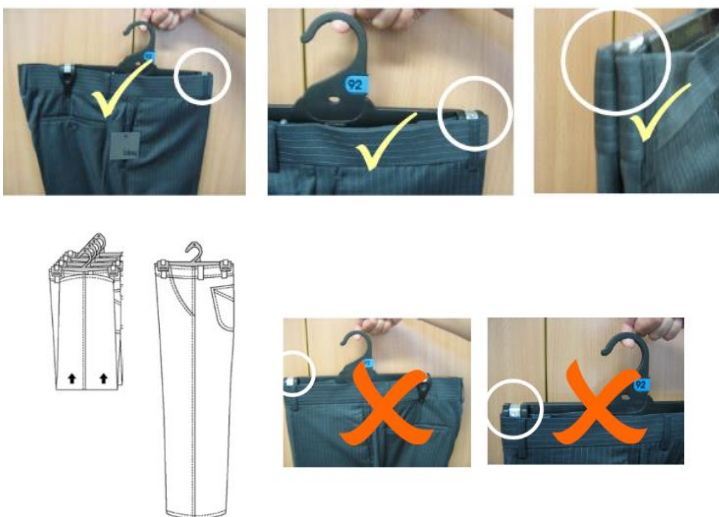
**PANTS & LONG SKIRTS – FRONT HUNG – REGULAR SIZES**



**PANTS & LONG SKIRTS – FRONT HUNG – LARGER SIZES**



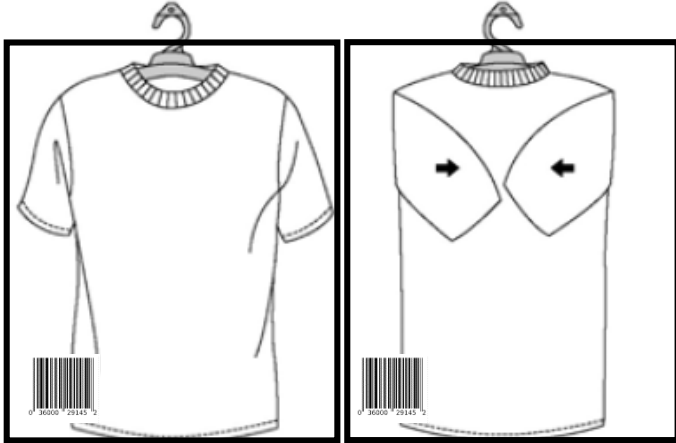
**PANTS – SIDE HUNG – ALL SIZES (FORMAL)**



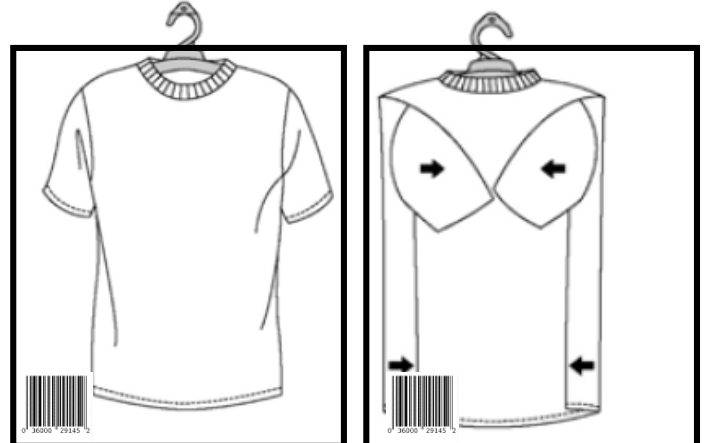
**PANTS – BAD EXAMPLE – TOO MANY FOLDS**



**TOPS/DRESSES/PLAYSUITS – FRONT HUNG –  
REGULAR SIZES ≤ 93CM LENGTH**

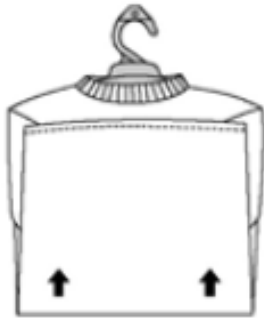


**TOPS/DRESSES/PLAYSUITS – FRONT HUNG –  
LARGER SIZES ≤ 93CM LENGTH**



**TOPS/DRESSES/PLAYSUITS – FRONT HUNG –  
REGULAR SIZES > 93CM LENGTH**

**\*ONLY WHERE GARMENT LENGTH EXCEEDS 93CM HALF FOLD WILL BE ACCEPTED WITH A MAXIMUM OF ONE FOLD**

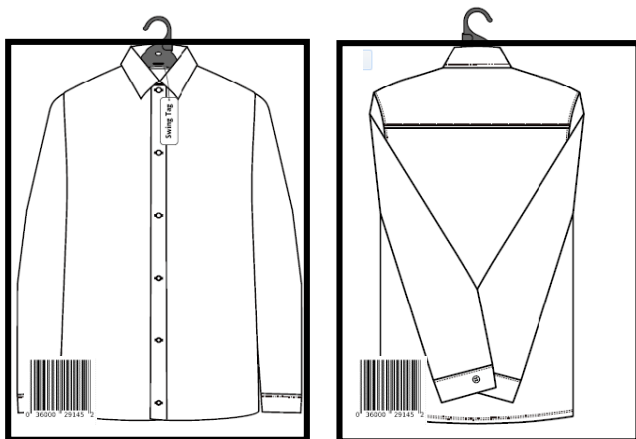


**TOPS/DRESSES/PLAYSUITS – FRONT HUNG –  
LARGER SIZES > 93CM LENGTH**

**\*ONLY WHERE GARMENT LENGTH EXCEEDS 93CM HALF FOLD WILL BE ACCEPTED WITH A MAXIMUM OF ONE FOLD**



**SHIRTS – FRONT HUNG**

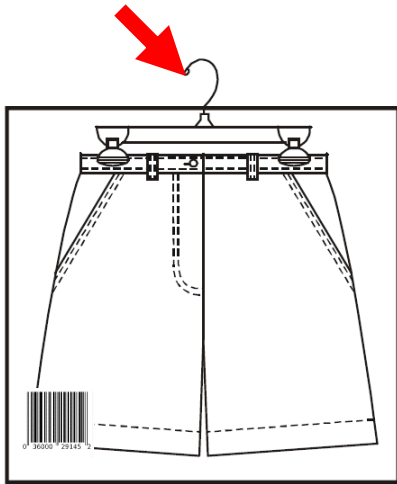


**SHIRT – GOOD EXAMPLE**

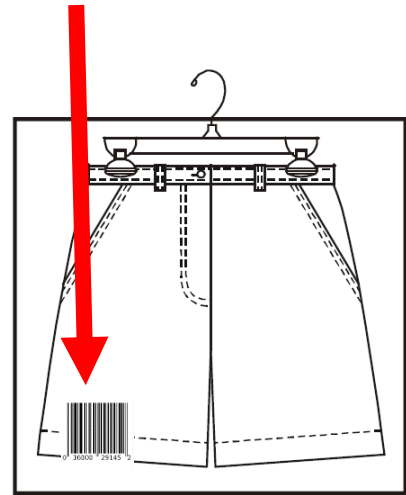
Below example illustrating a cord added into the coffin box at either end to hold the hangers in place.



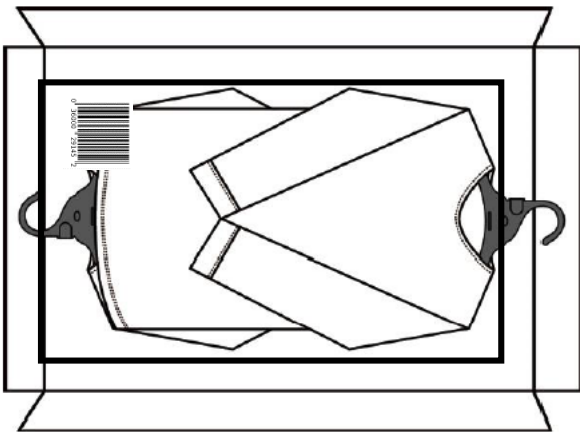
**WHEN GARMENT IS TO BE DELIVERD ON HANGER: HANGER LOOP TO BE THREADED THROUGH THE TOP OF POLYBAG**



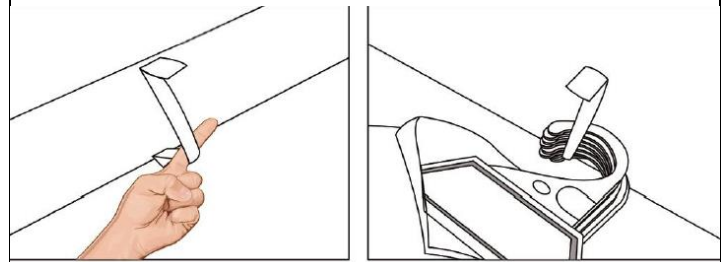
**ATTACH BAR CODE TO OUTSIDE OF POLYBAG FOR SCAN PACKING**



**WHEN GARMENTS ARE FLAT PAKED WITH HANGER INSERTED: TOP & TAIL GARMENTS IN SMALL GROUPS**



**HANGERS TO BE SECURED IN CARTON TO SIDE ELASTICS**



**CARTON TYPES & DIMENSIONS**

**CARTON TYPE 1: FLAT PAK SHORT**  
**MAX DIMENSIONS: L 55CM X W 55CM X H 10/20/30CM**



**CARTON TYPES & DIMENSIONS**

**CARTON TYPE 2: FLAT PAK LONG**  
**MAX DIMENSIONS: L 100CM X W 55CM X H10/20/30CM**



Please refer to the below for polybag requirements:

Category	Garment/Fabric Type	Individual Polybag per pcs	1 Single carton lined Polybag
All	White / Delicate fabric (viscose, linen, silk) / Beaded / Lace	✓	
Kidswear	All, except Knitwear & Sweater	✓	✓
Intimates			✓
Womenswear, Menswear & Youth	Suits	✓	
	Knitwear & Sweater	✓	
	Sleepwear (Viscose)	✓	
	Sleepwear (Cotton/Poly)	✓	
	Long Dress	✓	
	Shirt (Causal/Business)	✓	
	Top / Polo	✓	
	Pant / Short / Skirt	✓	
	Denim - Jeans, Jacket	✓	
	Denim - Shorts, Skirt	✓	
	Denim - light/thin fabric	✓	
	Swimwear		✓